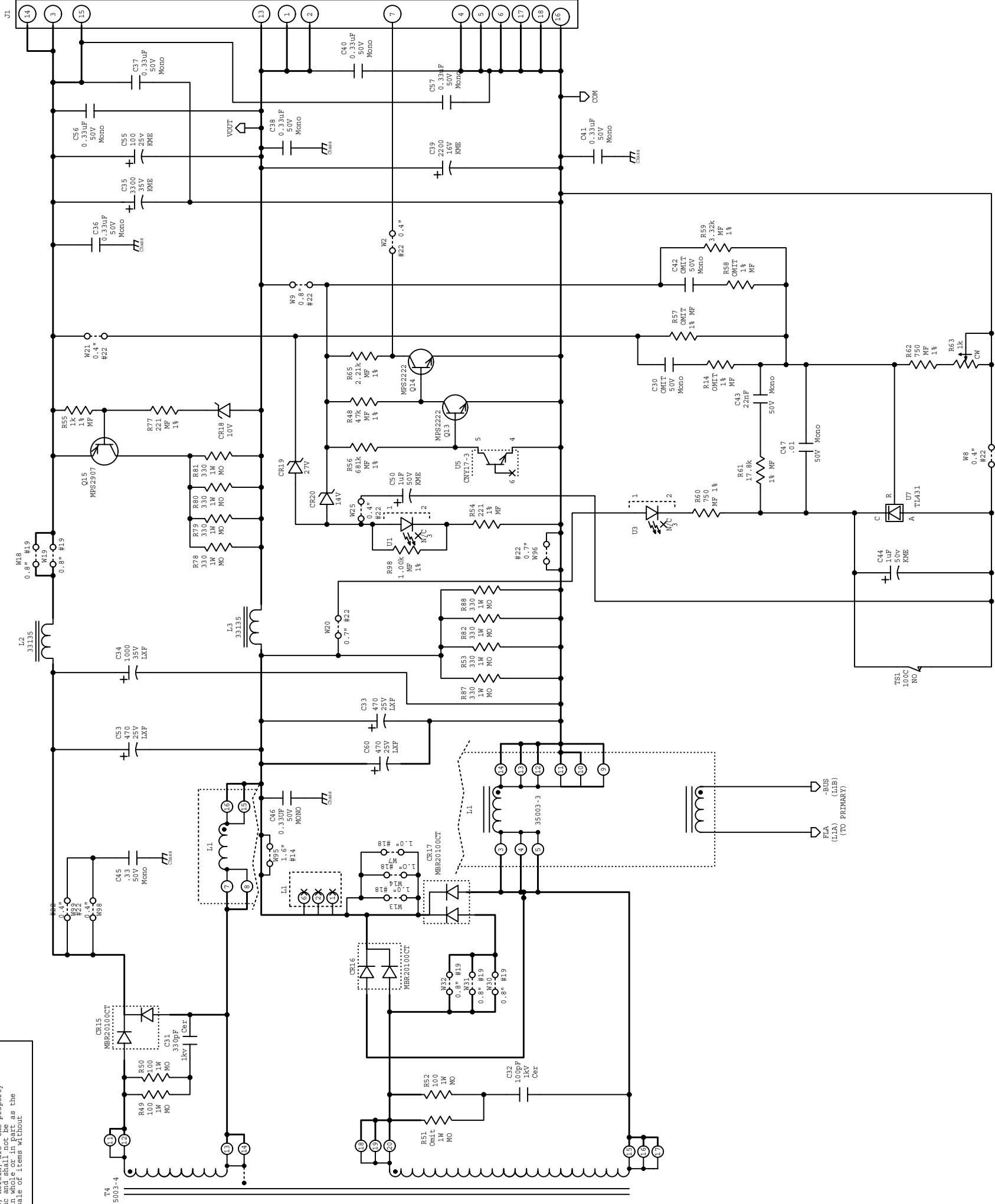


The drawing and specifications, herein, are the property of Condor DC Power Supplies Inc. and shall not be reproduced or transmitted in any form or by any means, electronic, mechanical, photocopying, recording, or by any information storage and retrieval system, without the prior written permission.



NOTES:

1. Unless otherwise specified, all resistors are 1/4W, 5%, C.F.
2. Unless otherwise specified, all capacitors values are stated in microfarads.

<b>CONDOR</b> DC POWER SUPPLIES INC. A SUBSIDIARY OF S.I. INDUSTRIES		CONRAD, CT (803) 460-4565
APPROVALS	DATE	
DRAWN BR	3/00	
CHECKED		
SIZE D	DRAWING NO. 31-SP1709-M	REV. C
SCALE	FILE- SEE SHT 1 OF 2	SHEET 2 OF 2

**SCHEMATIC, Power Supply**  
**SP1709-M**